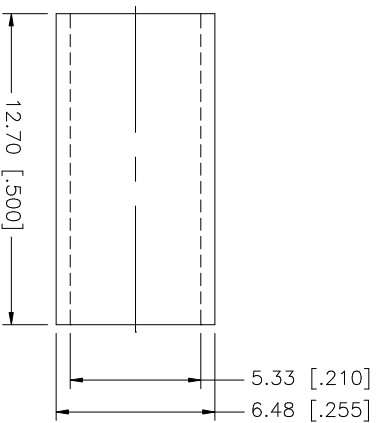
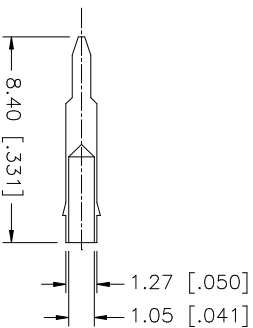
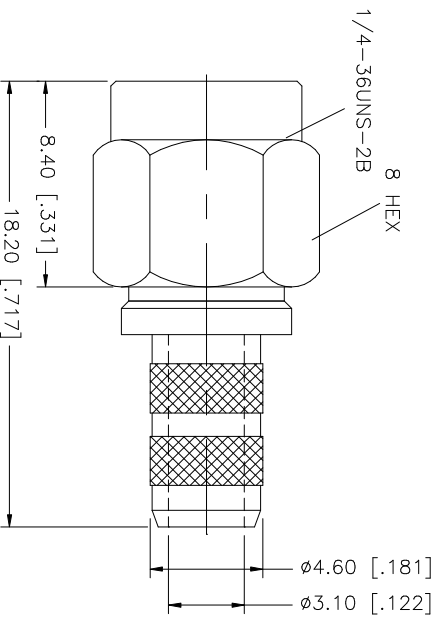
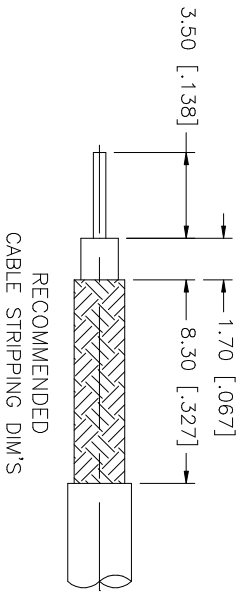


REV.	DATE	DESCRIPTION
NC	01/29/03	INITIAL RELEASE



NOTE:

1. CRIMPED FERRULE
HEX CRIMP SIZE .213"

QTY	FINISH	MATERIAL	DESCRIPTION
1	GOLD	COPPER	FERRULE
1	RED	SILICONE	GASKET
1	GOLD	BRASS	CONTACT PIN
1	NATURAL	BR. COPPER	RETAINER RING
1	NATURAL	TEFLON	INSULATOR
1	GOLD	BRASS	SHELL/BODY
			DESCRIPTION

APPROVALS	DATE
DRAWN G.R.S.	01/29/03
CHECKED	
ISSUED	
SHEET 1 OF 1	

PART NO.	DESCRIPTION
132113	SMA CRIMP PLUG (FOR RG-58C/U, 58/U CABLE)

DWG. NO.	REV.	SIZE	SCALE
132113.DWG	NC	A	NA

UNLESS OTHERWISE SPECIFIED, DIMENSIONS ARE IN MILLIMETERS SPECIFIED DIMENSIONS IN [] ARE IN INCHES AND FOR CUSTOMER REFERENCE ONLY.
UNLESS OTHERWISE SPECIFIED, TOLERANCES FOR MILLIMETERS ARE: 0.5 - 30mm ± 0.20mm 8 - 30mm ± 0.40mm 30 - 120mm ± 0.50mm
UNLESS OTHERWISE SPECIFIED, TOLERANCES FOR INCHES ARE: .020 - .315 = ± 0.007" .315 - 1.180 = ± 0.015" 1.180 - 4.724 = ± 0.020"
DO NOT SCALE DRAWING

Amphenol Connex